

## Eco Preparation 1200 mm Soaking Sink for Dishwasher with 1 Bowl - Left drain

ITEM # \_\_\_\_\_

MODEL # \_\_\_\_\_

NAME # \_\_\_\_\_

SIS # \_\_\_\_\_

AIA # \_\_\_\_\_


**132933 (ESBD1217L)**

 Sink Unit for Dishwasher with  
 1 bowl left hand drainer  
 500x500, 1200mm

### Short Form Specification

**Item No.** \_\_\_\_\_

Worktop in 304 AISI stainless steel with front edge h=40mm. Rear upstand h=100mm. N.1 bowl 500x500mm. Front and side covering panels in stainless steel. Rear panel in stainless steel. Square section legs 40x40mm in stainless steel with adjustable feet. An undercounter dishwasher can be placed under the drainer.

### Main Features

- Sturdiness, stability and reliability of table accurately tested.

### Construction

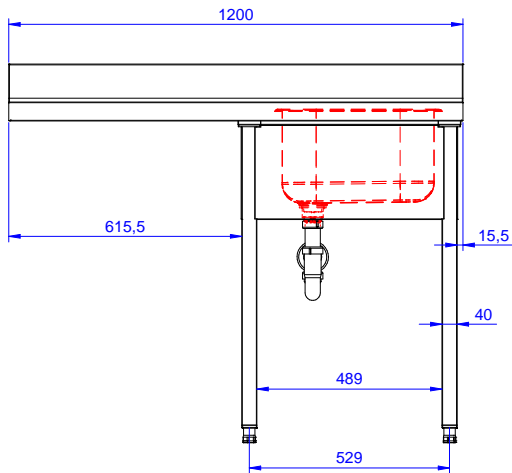
- Constructed entirely in stainless steel to offer maximum durability.
- Bottom part of drain left free to house an undercounter dishwasher.
- Delivered in knock-down package.
- Wide range of taps are available to suit every need.
- Drainage area suitable for drying operations

### Optional Accessories

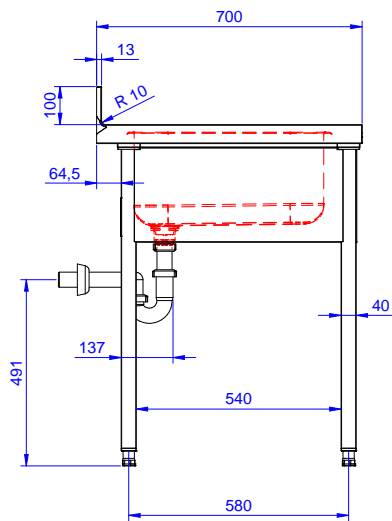
- Set of 4 wheels (2 with brake) PNC 855150   
 d. 100mm for tables and sinks  
 (total height on wheels= 993 mm)
- Single plastic drain syphon 1,5 " for work tables with bowl PNC 855306
- Elbow operated mixer tap with spout 3/4", single hole PNC 855322
- Elbow operated mixer tap with short spout 3/4", single hole PNC 855323
- Maxi reel retractable hose spray unit, 6m PNC 855327
- Foot operated mixer tap (hot and cold) with spout 3/4" PNC 855328

**APPROVAL:** \_\_\_\_\_

Front

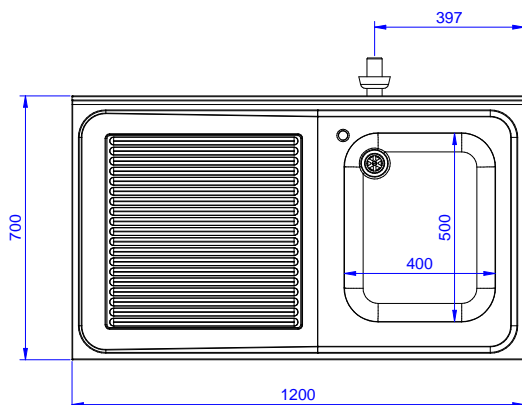


Side



D = Drain

Top


**Key Information:**

External dimensions, Width:	1200 mm
132933 (ESBD1217L)	
External dimensions, Depth:	700 mm
External dimensions, Height:	900 mm
Upstand Dimensions, Height:	100 mm
Upstand Dimensions, Depth:	13 mm
Upstand Dimensions, Radius:	R=10
Bowls number	1
Bowl dimensions	400X500XH250
Net weight:	32 kg